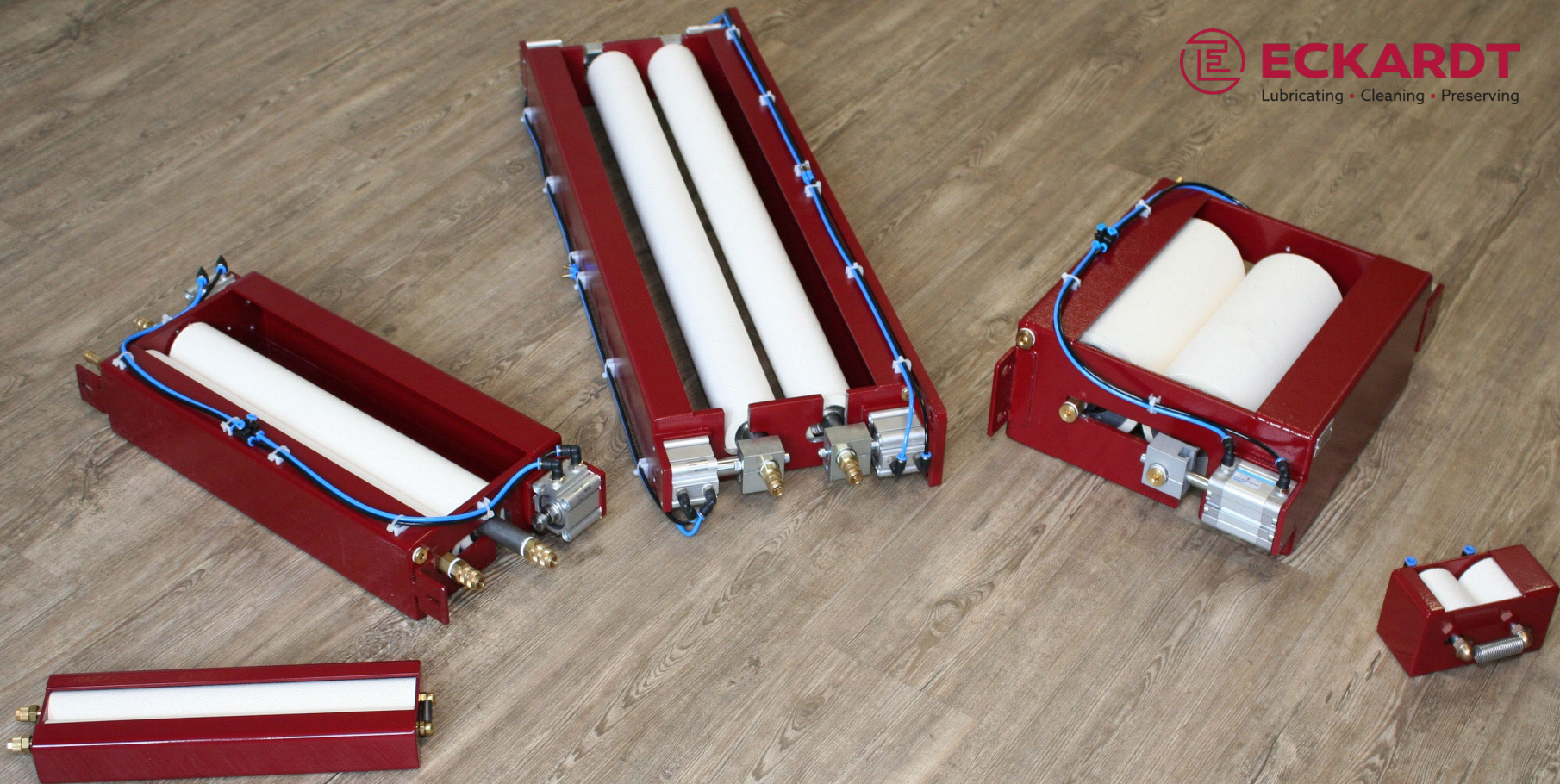


Felt roller lubricators WF / WG

All-covering lubrication for metal coils and blanks



Felt roller lubricator WF 32 F

Lubrication widths (mm) 020/040/080/160/300 *

* Standard sizes, individual configurations available on request



PRECISION

- Compact felt roller lubricator for very thin material layers of up to 1 mm (recommended value)
- Two-sided, consistent application of lubricants
- Lubricant infeed through hollow axles inside the rollers
- Roller coating made of wear-resistant felt
- Recommended for viscosities of up to 100 mm²/sec

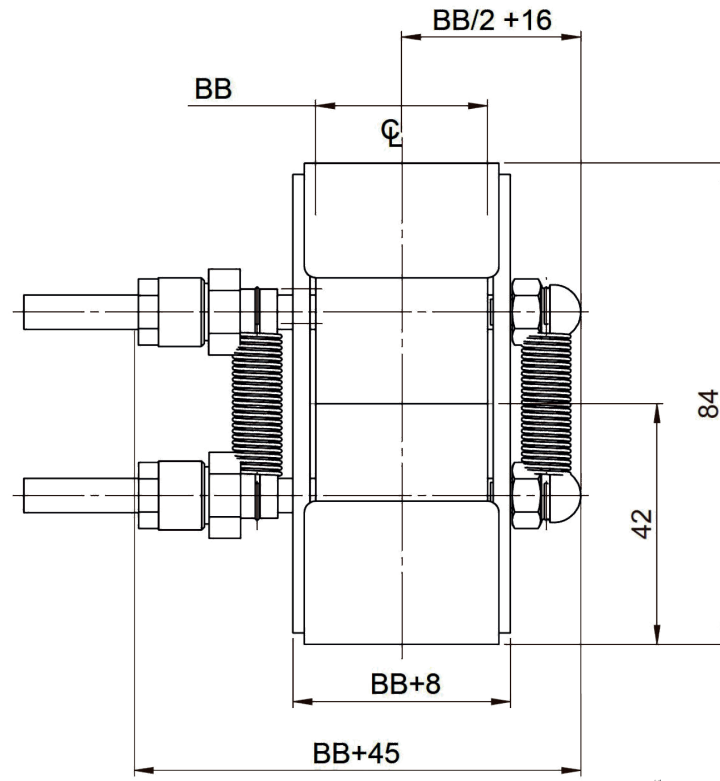
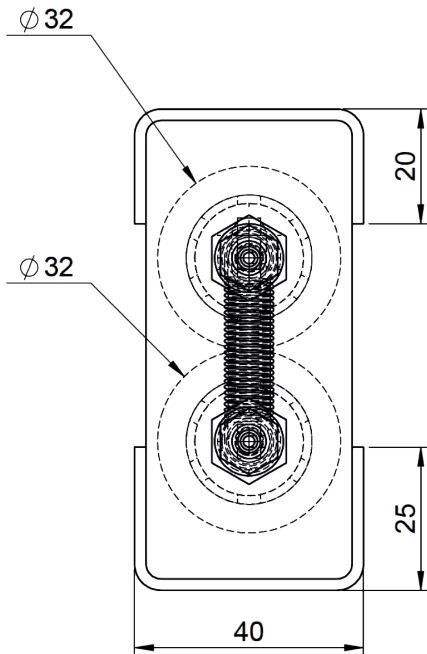
VERSATILITY

- Standard configuration with adjusting spring
- Optional: adjustment through removable rollers or pneumatic lifting cylinders*
- Optional: operation with two oil grades (available for selected configurations)

FIELDS OF APPLICATION (SELECTION)

- Contact components: tab connectors, electric switching contacts, contact springs
- Punched and bent parts: medical technology, microelectronics, precision engineering
- Fine blanked parts: gear/ engine technology, pumps

Felt roller lubricator WF 32 F: Dimensions



BB = max. lubrication width

Felt roller lubricator WF 32 F: Standard configurations

CONFIGURATION WF 32	WF 32-20	WF 32-40	WF 32-80	WF 32-160	WF 32-300
Lubrication width max.	20	40	80	160	300
Overall width inkl. spring, connection	65	85	125	205	345
Overall height	84				
Infeed height (coil intake)	42				
Roller diameter	32				
Length in travel direction	40				
Coil thickness max.* <small>*Recommended value</small>	1				

Felt roller lubricator WF 60 F

Lubrication widths (mm) 040/080/160/300/500/700/800 *

* Standard sizes, individual configurations available on request



PRECISION

- Compact felt roller lubricator for material layers of up to 2 mm (recommended value)
- Two-sided, consistent application of lubricants
- Lubricant infeed through hollow axles inside the rollers
- Roller coating made of wear-resistant felt
- Recommended for viscosities of up to 120 mm²/sec

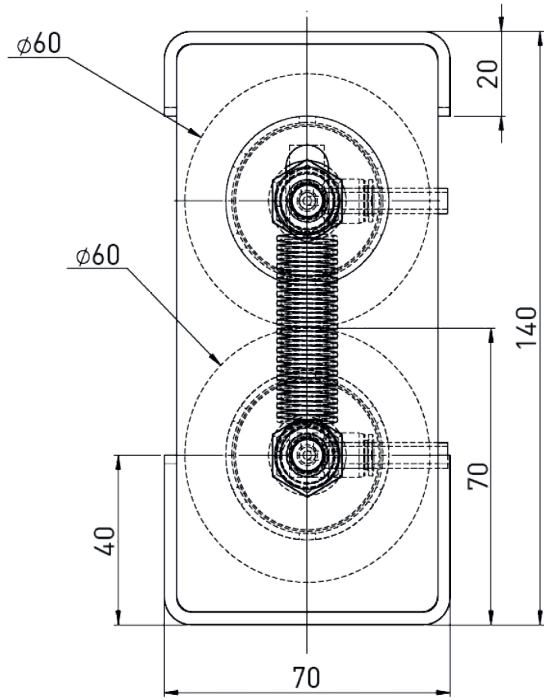
VERSATILITY

- Standard configuration with adjusting spring
- Optional: adjustment through removable rollers or pneumatic lifting cylinders (available for selected configurations)
- Dosing system available with/without integrated control unit or with terminal box

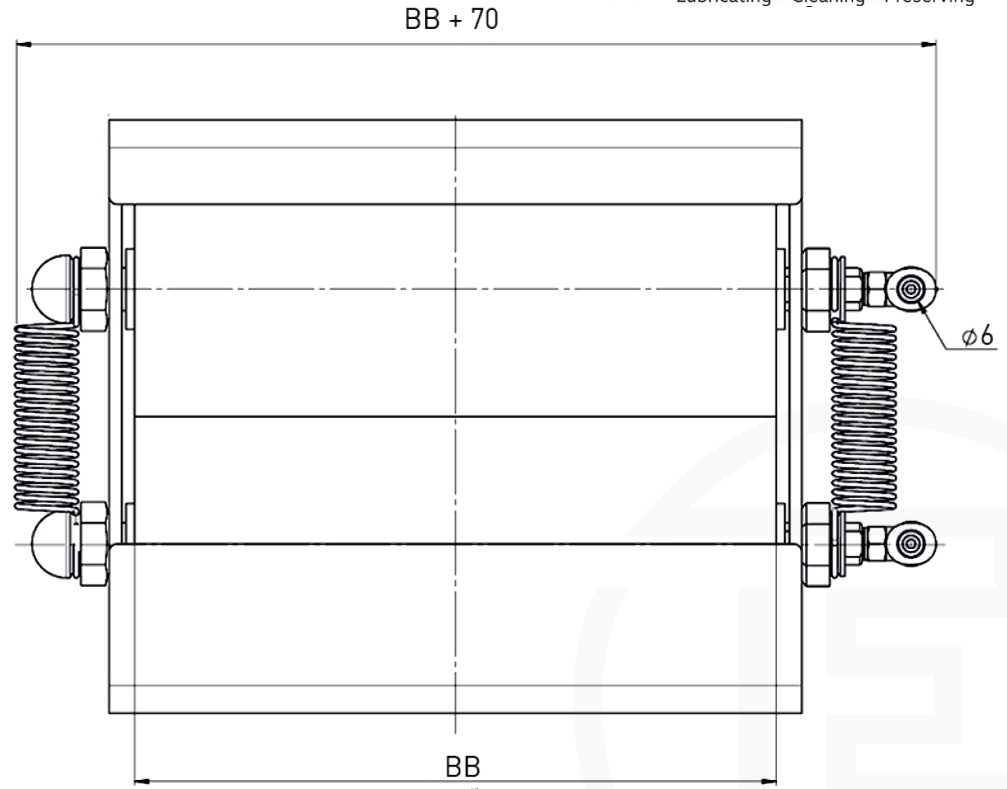
FIELDS OF APPLICATION (SELECTION)

- Contact components: tab connectors, electric switching contacts, contact springs
- Punched and bent parts: medical technology, microelectronics, precision engineering
- Fine blanked parts: gear/engine technology, pumps

Felt roller lubricator WF 60 F: Dimensions



BB = max. lubrication width



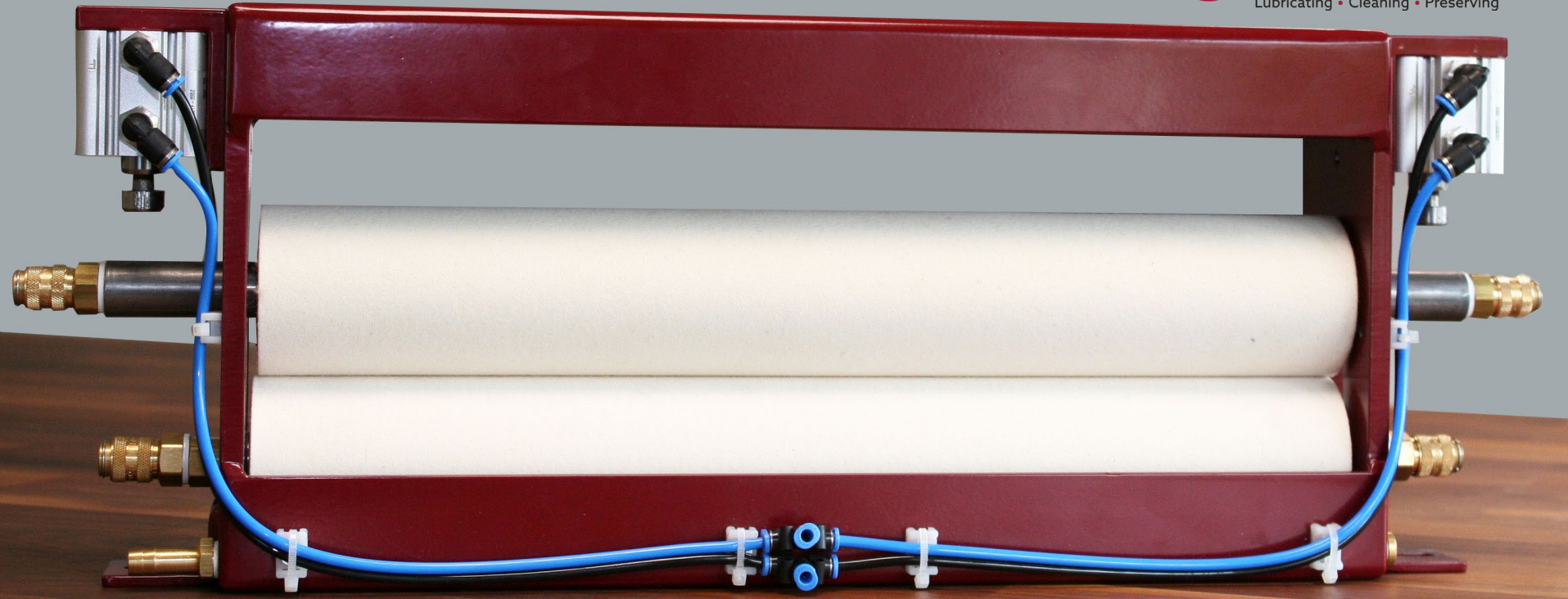
Felt roller lubricator WF 60 F: Standard configurations

CONFIGURATION WF 60	WF 60-40	WF 60-80	WF 60-160	WF 60-300	WF 60-500	WF 60-700	WF 60-800
Lubrication width max.	40	80	160	300	500	700	800
Overall width inkl. spring, connection	110	150	230	370	570	770	870
Overall height	140						
Infeed height (coil intake)	70						
Roller diameter	60						
Length in travel direction	70						
Coil thickness max.* <small>*Recommended value</small>	2						

Felt roller lubricator WF 60 WG

Lubrication widths (mm) 200/300/500/650/800 *

* Standard sizes, individual configurations available on request



PRECISION

- Compact felt roller lubricator for material layers of up to 5 mm (recommended value)
- Two-sided, consistent application of lubricants
- Lubricant infeed through hollow axles inside the rollers
- Roller coating made of wear-resistant felt
- Recommended for viscosities of up to 120 mm²/sec

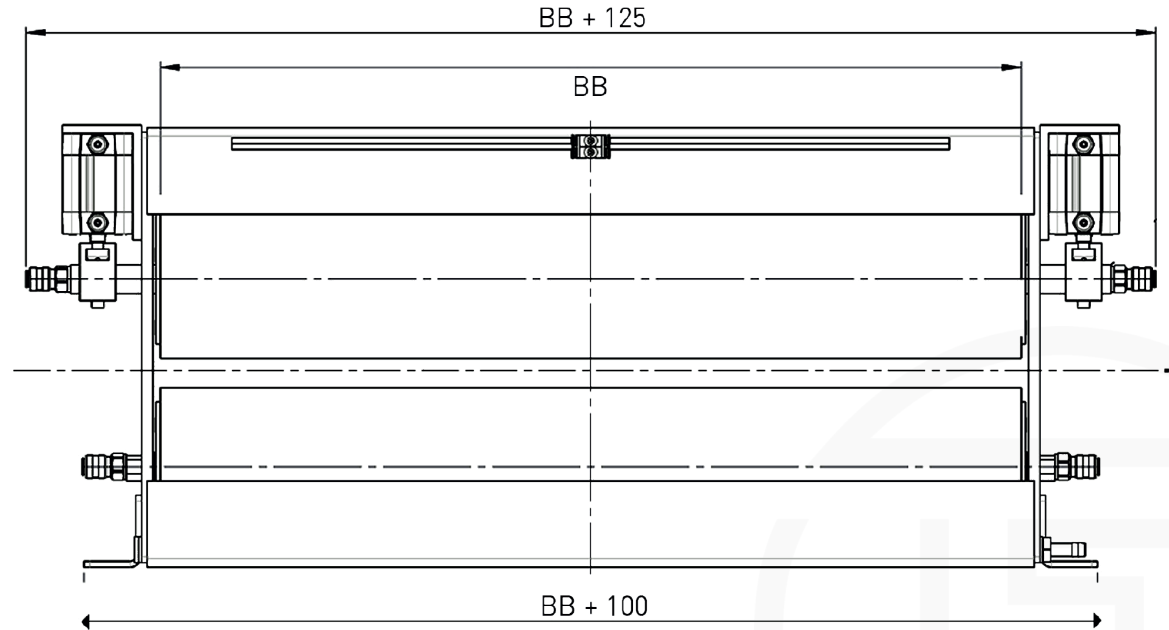
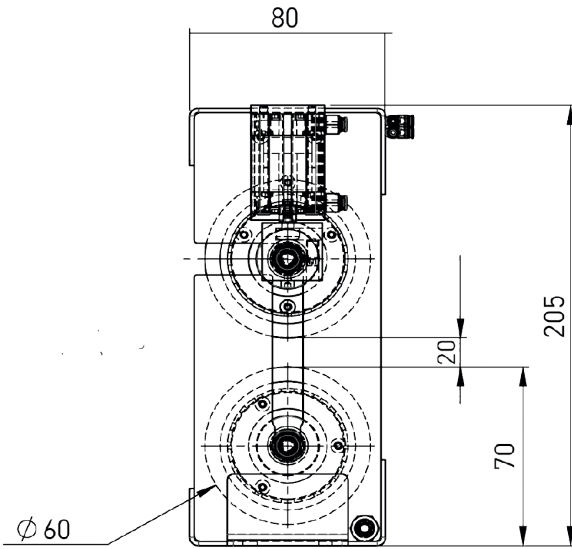
VERSATILITY

- Adjustment through removable rollers and pneumatic lifting cylinders
- Dosing system available with/without integrated control unit or with terminal box

FIELDS OF APPLICATION (SELECTION)

- Contact components: tab connectors, electric switching contacts, contact springs
- Punched and bent parts: medical technology, microelectronics, precision engineering
- Fine blanked parts: gear/engine technology, pumps

Felt roller lubricator WF 60 WG: Dimensions



BB = max. lubrication width

CONFIGURATION WF 60 WG	WF 60-200	WF 60-300	WF 60-500	WF 60-650	WF 60-800
Lubrication width max.	200	300	500	650	800
Overall width inkl. lifting cylinder, connection	325	425	625	775	925
Overall height	205				
Infeed height (coil intake)	70				
Roller diameter	60				
Length in travel direction	80				
Coil thickness max.* *Recommended value	5				



Wechselwalzenbeöler WF 60 WG DH

Konfiguration mit Doppelhubzylinder (obere/untere Walze)

Felt roller lubricator WF 110 WG

Lubrications widths (mm) 500/650/800/1000/1300/1600 *

* Standard sizes, individual configurations available on request



PRECISION

- Compact felt roller lubricator for material layers of up to 10 mm (recommended value)
- Two-sided, consistent application of lubricants
- Lubricant infeed through hollow axles inside the rollers
- Roller coating made of wear-resistant felt
- Recommended for viscosities of up to 150 mm²/sec

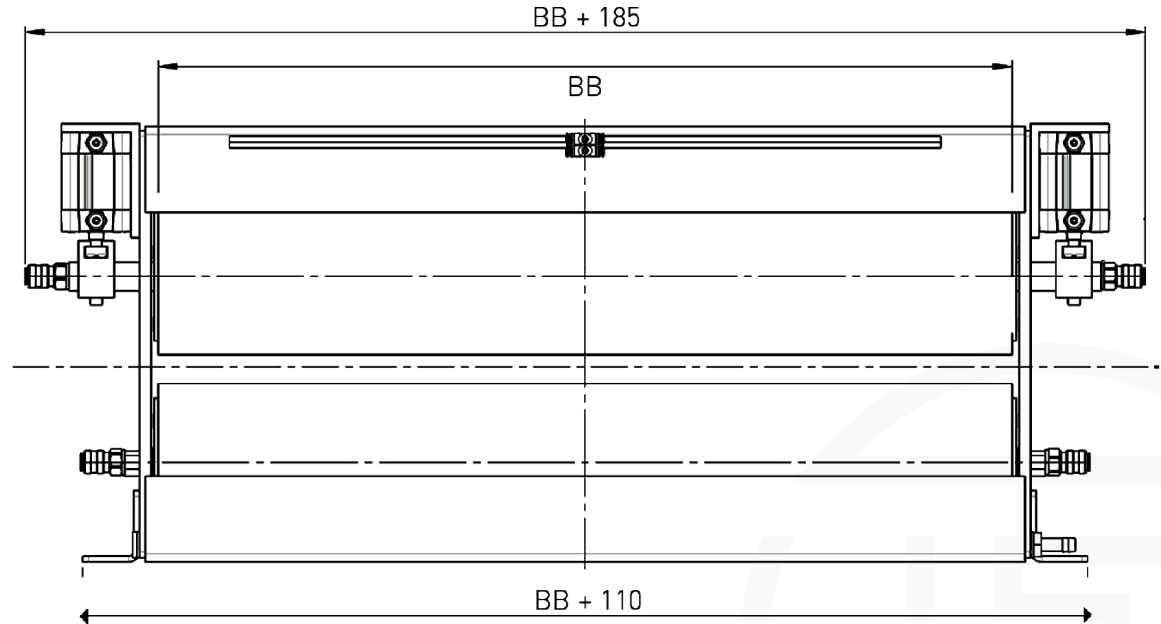
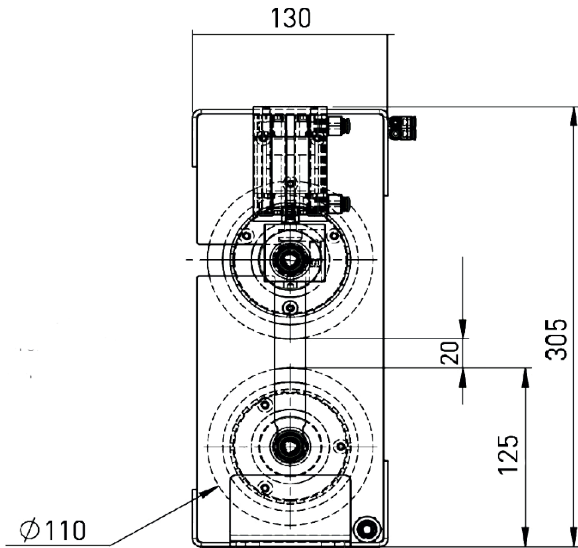
VERSATILITY

- Adjustment through removable rollers and pneumatic lifting cylinders
- Dosing system available with/without integrated control unit or with terminal box

FIELDS OF APPLICATION (SELECTION)

- Contact components: tab connectors, electric switching contacts, contact springs
- Punched and bent parts: medical technology, microelectronics, precision engineering
- Fine blanked parts: gear/engine technology, pumps

Felt roller lubricator WF 110 WG: Dimensions



BB = max. lubrication width

Felt roller lubricator WF 110 WG: Standard configurations

CONFIGURATION WF 110 WG	WF110-500	WF 110-650	WF 110-800	WF110-1000	WF110-1300	WF 110-1600
Lubrication width max.	500	650	800	1000	1300	1600
Overall width inkl. lifting cylinder, connection	685	835	985	1185	1485	1785
Overall height	305					
Infeed height (coil intake)	125					
Roller diameter	110					
Length in travel direction	130					
Coil thickness max.* <small>*Recommended value</small>	10					

Felt roller lubricator WF / WG

Configuration options

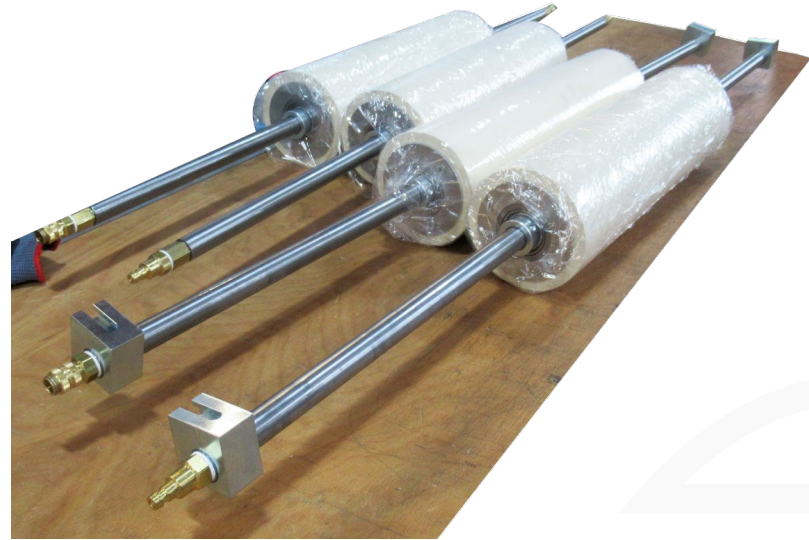
Felt roller lubricator WF / WG: Configuration options

OPTIONS WF/WG	WF 32	WF 60	WF 60 WG	WF 110 WG
Configuration with pneumatic lifting cylinder	no	no	yes	yes
Operation with exchangeable rollers	no	no	yes	yes
Eckardt dosing system with dosing control unit	yes	yes	yes	yes
Eckardt dosing system without dosing control unit	yes	yes	yes	yes
Eckardt dosing system for two oil grades	no	no	yes	yes
Tube kit	no	no	yes	yes
Telescopic extension	no	no	yes	yes
Individual triggering of upper/lower roller	yes	yes	yes	yes

Felt roller lubricator WG

Exchangeable rollers





- Exchangeable rollers can be used for the application of different oil grades.
- The roller casing includes a notch on either side into/from which another pair of rollers is effortlessly inserted/removed.
- In case the entire lubrication width of the system is not required for the processing, it is possible to use a pair of smaller rollers and save a substantial amount of lubricant.

POMAC

Tel. +32(0)51316205
info@pomac.be

Goudenappelstraat 19
8780 Oostrozebeke

www.pomac.be



ECKARDT

Lubricating • Cleaning • Preserving

Eckardt Systems

